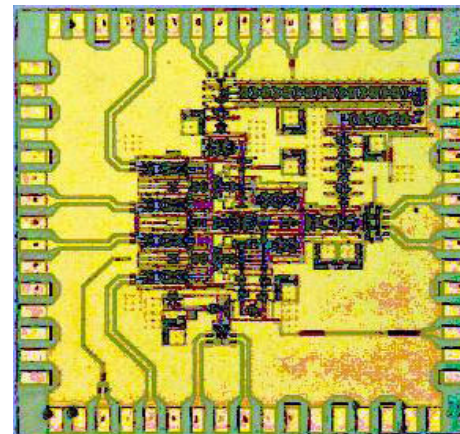


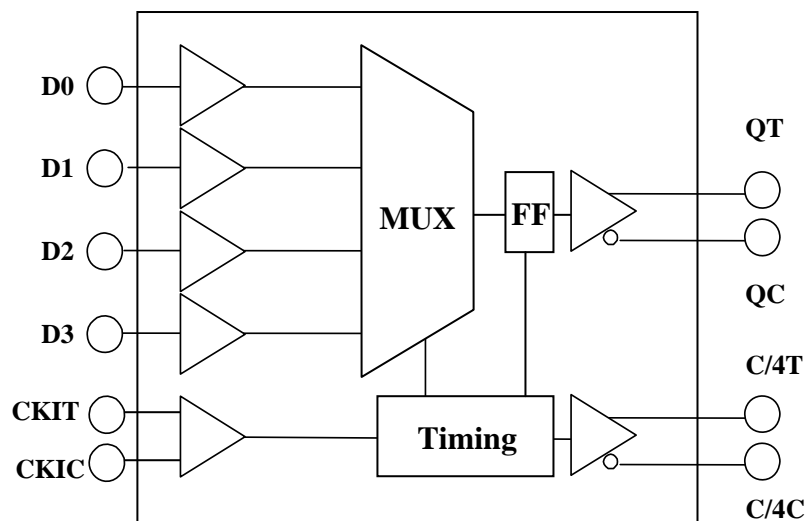
50 Gbps 4:1 Multiplexer (CI0603)

Features

- ◆ Input Data : DC-12.5 Gb/s
- ◆ Output Voltage : 0.4 V_{pp}
- ◆ Differential Data Output
- ◆ Differential CLK/4 Output
- ◆ Supply Voltage : - 4.5V
- ◆ Power Dissipation : 3.5 W



Functional Diagram



Output Waveforms (50 Gb/s)

