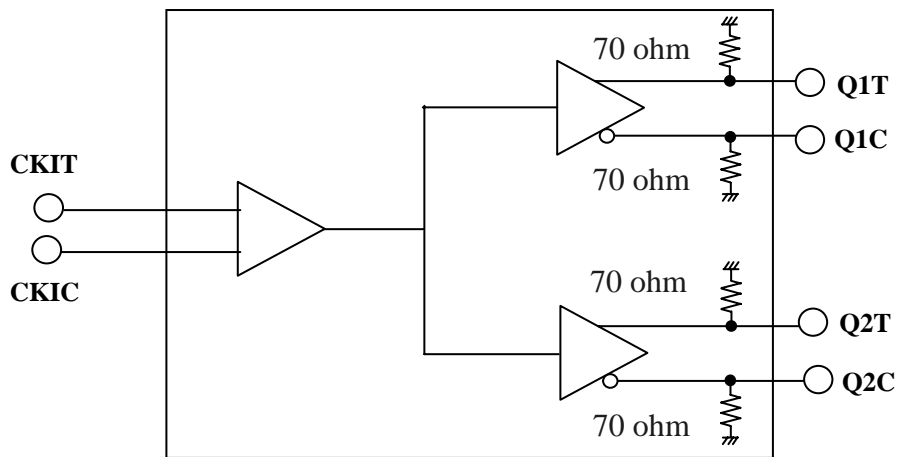


45 GHz Clock Distributor (CI0605)

Features

- ◆ Clock Frequency : 35-45 GHz
- ◆ Output Voltage : 0.45 Vpp
@Cin = 0.1 Vpp
- ◆ 2 Differential Output

Functional Diagram

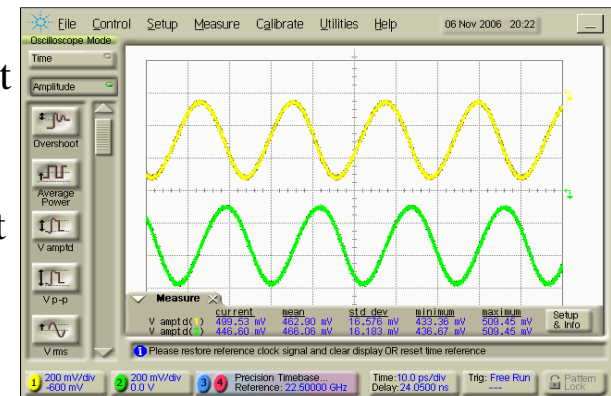


Output Waveforms

Input Clock : 45 GHz, 0.1 Vpp

Output (Q1T)

Output (Q1C)



Output (Q2T)

Output (Q2C)

