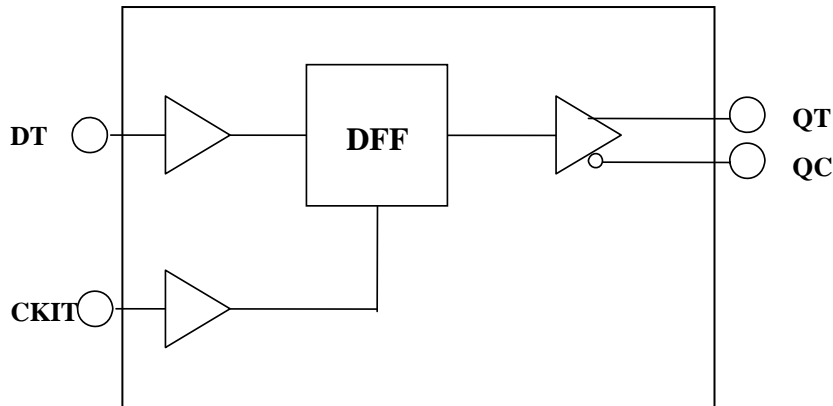


# 48 Gbps D Flip Flop (CI0606)

## Features

- ◆ Operating Frequency : DC-48 GHz
- ◆ Output Voltage : 0.4 Vpp  
@Din = 0.1 Vpp
- ◆ Min. Sensitivity : 50mVpp

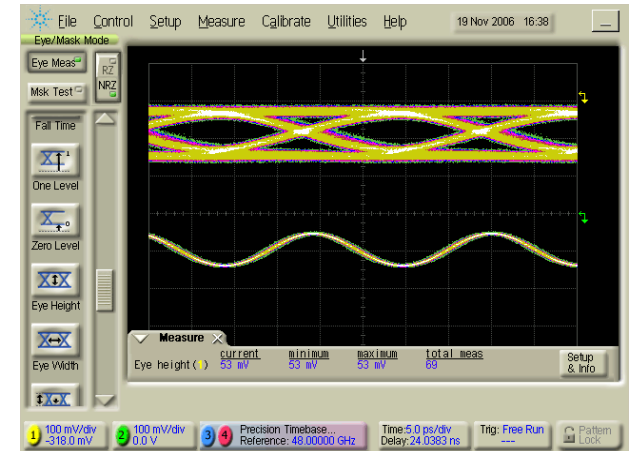
## Functional Diagram



## Input and Output Waveforms

Input : 48 GHz, 0.1 Vpp

Input (DT)  
Input (CT)



Output (QT)

