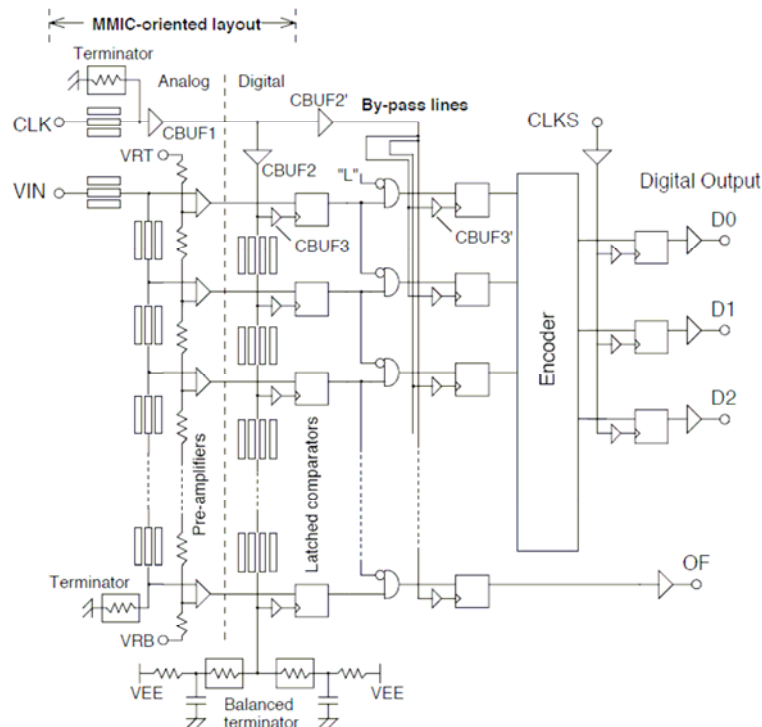


3bit ADC (CI0616)

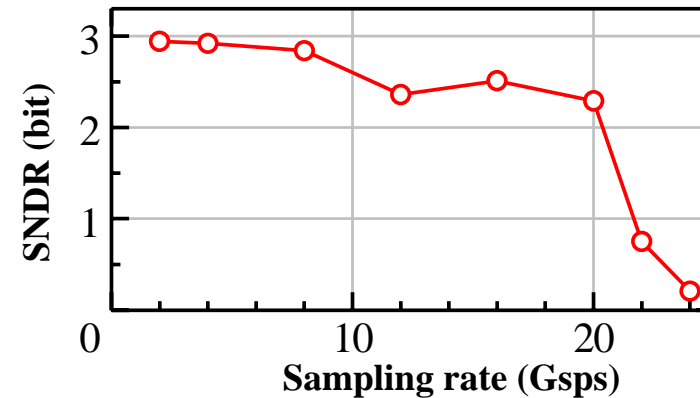
Features

- ◆ Sampling Rate : 36 Gsps @ 100MHz
24 Gsps @ nyquist input
- ◆ Power Dissipation : 3.84 W

Block Diagram



SNDR Performance (Nyquist condition)



Sampling Performance

Input frequency 100 MHz
Sampling Rate 36 Gsps

