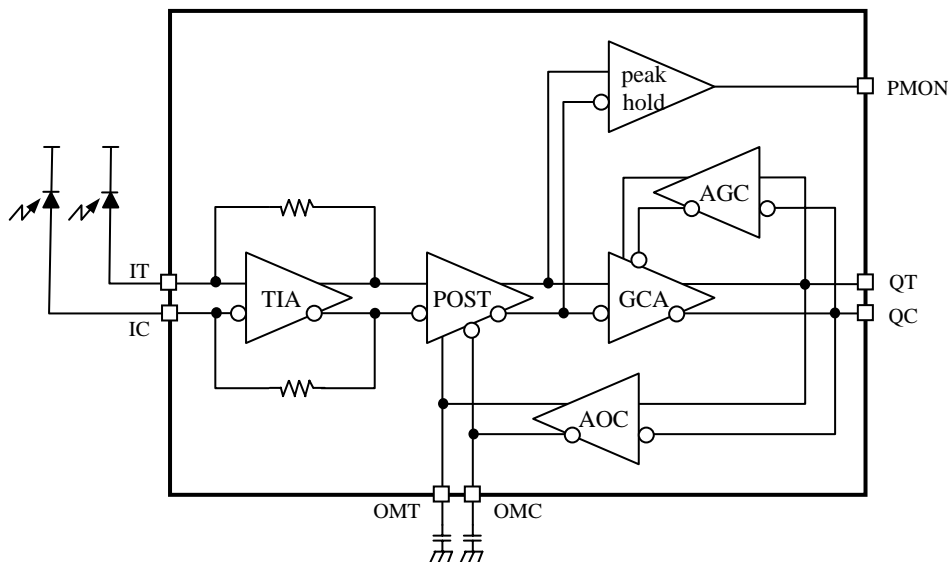


TIA+Auto Gain Control Amplifier (CI0618CH)

Features

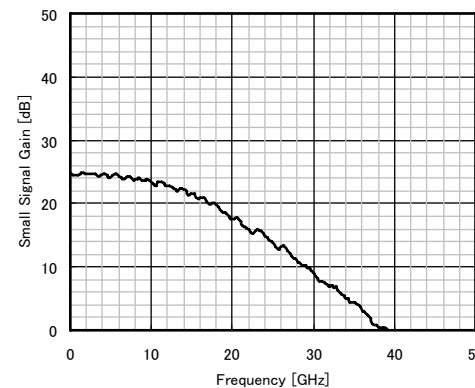
- ◆ 1 kohm max. transimpedance gain
- ◆ 15 GHz 3-dB bandwidth
- ◆ Differential input suitable for 43Gb/s-DQPSK photoreceivers

Functional Diagram

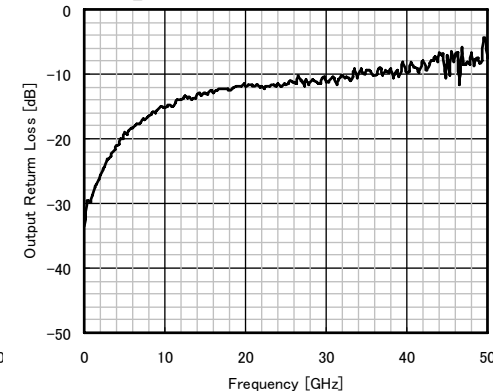


Small Signal Characteristics

Small Signal Gain: S21



Output Return Loss: S22



Output Eye Diagram (21.5 Gbit/s)

