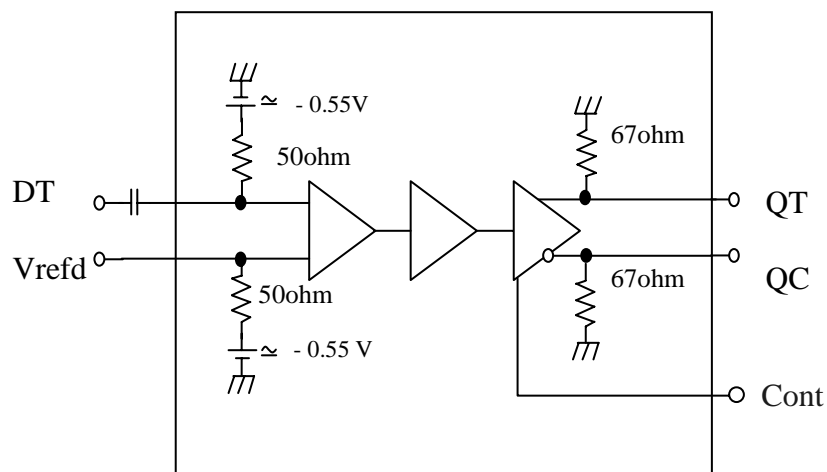


43 Gb/s Data Limiting Amplifier (CI0709)

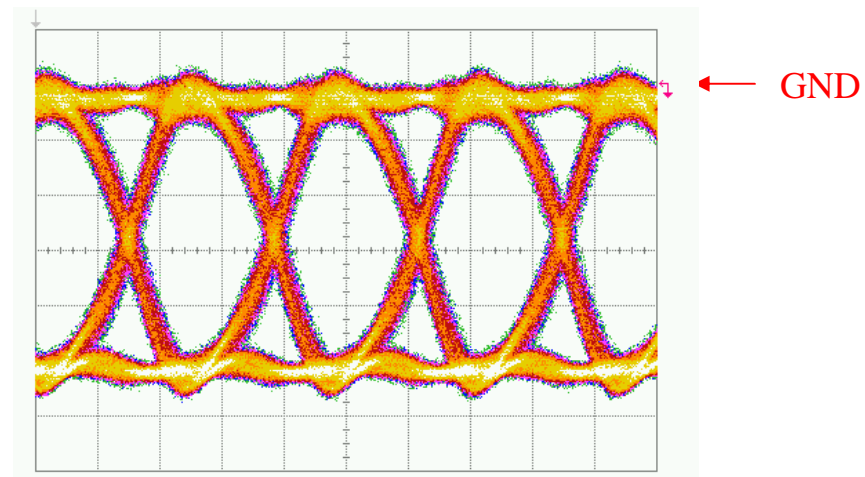
Features

- ◆ Input Data : DC-43 Gb/s
- ◆ Output Voltage Control : 0.4-0.9 V_{pp}
- ◆ Differential Output
- ◆ Supply Voltage : - 4.5V
- ◆ Power Dissipation : 0.6 W

Functional Diagram



Output Waveforms



Input Data : 43 Gb/s
V : 0.2 V/div, H : 10 ps/div