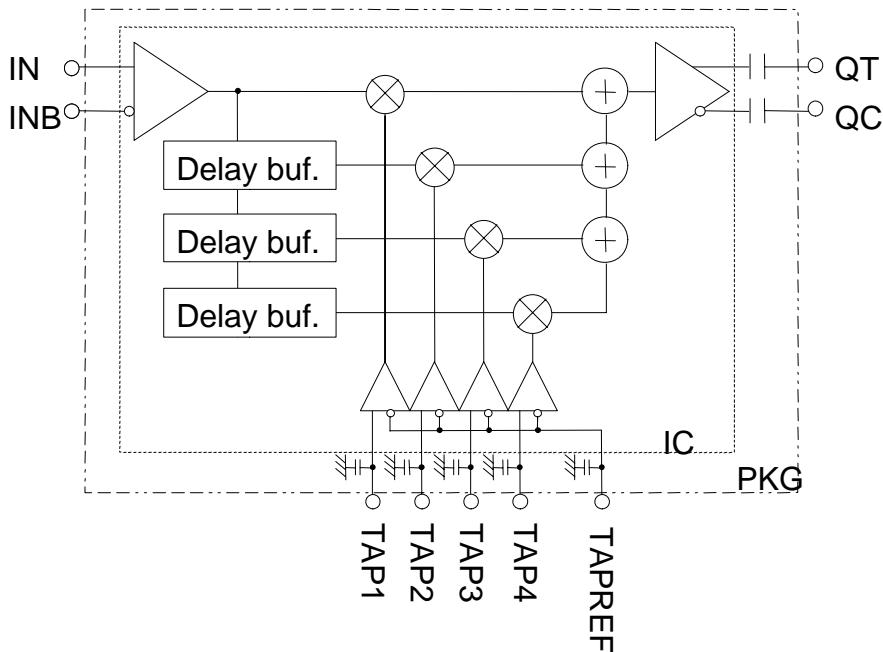


4Tap FFE EDC for 43Gb/s-DQPSK (CI0812)

Features

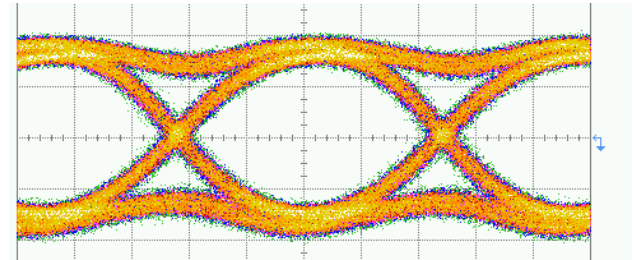
- ◆ Operating Data Rate : 21.5 Gb/s
- ◆ Output Voltage : 400 mVp-p (single-end)
- ◆ 4 Tap Configuration
- ◆ Tap Delay Time : 23 ps x 3

Functional Diagram



Output Waveforms

Tap1=1 (Through), Tap2=0, Tap3=0, Tap4=0



vert:100 mV/div horiz: 10ps/div

DGD Tolerance (example)

