

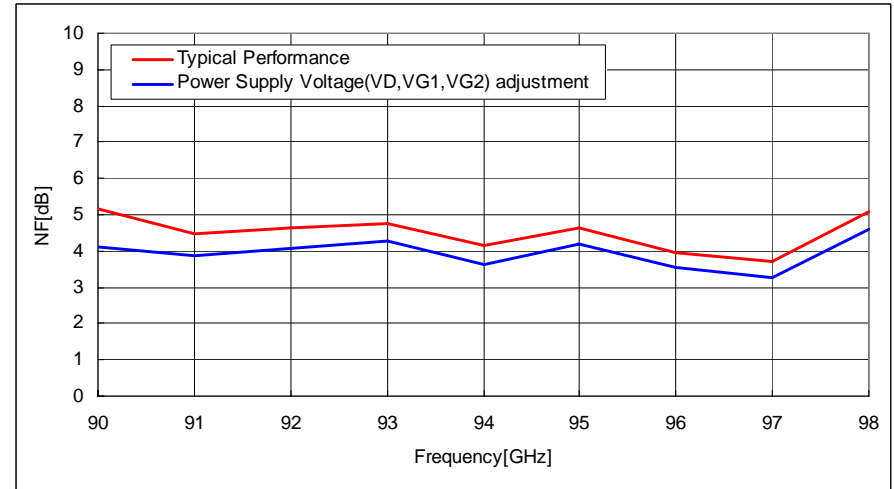
94 GHz Low Noise Amplifier (CI0813)

Features

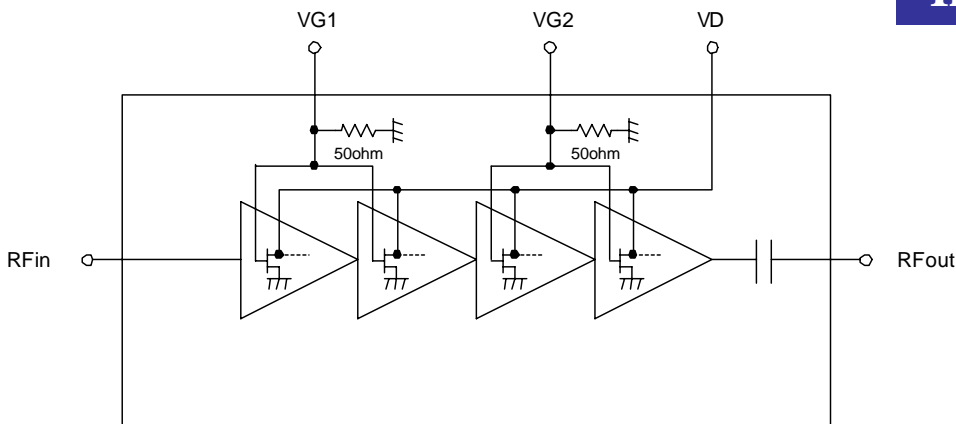
- ◆ RF Frequency: 92 GHz – 96 GHz
- ◆ Linear Gain 18 dB
- ◆ NF 4 dB
- ◆ P(-1dB) -7 dBm
- ◆ WR-10 Waveguide Interface

NF performance

Typical performance : $V_d = 1V$, $V_{g1} = -0.2V$, $V_{g2} = -0.3V$, $GND = 0.0V$



Functional Diagram



Input and Output Characteristics (94 GHz)

